

a Slim Analyser Package



Analytical Solutions and Products B.V.
Distelweg 80m • Amsterdam
P.O. box 37146 • 1030 AC Amsterdam
Tel. +31 (0)20 4924748 • Fax +31 (0)20 3372798
Home page www.asap4u.nl • E mail info@asap4u.nl

Introduction

Analytical Solutions and Products B.V. (ASaP) is a company with a clear goal:

Providing comprehensive solutions for your analytical challenges and needs.

One of our latest and practical development is: *a Slim Analyser Package (aSAP)*.

This Slim Analyser Package is a mix of an analyser cabinet and analyser house.

The following design criteria are used for the development of the aSAP:

- Create the most ideal surroundings for analysers to secure the **best analytical performance**.
- **Reduce costs**, create a functional cabinet instead of a complete analyser house. Initial costs as well as project costs like project engineering and other costs are substantially reduced.
- Create a good and suitable atmosphere for **maintenance** on analysers and/or other equipment inside.
- Reduce size and weight, make **installation** (on elevation) in plants easier. Simplify **transport** and reduce the transport and installation costs.
- **Total-cost-of-ownership** reduced by reduction of initial costs, transport, installation and operation costs and a substantial reduction of the utility consumption like heating, cooling and ventilation.

Description

Up to now most analyser houses are designed to accommodate analysers and maintenance engineers. An analyser house can develop into a complex project with associated costs depending on client specifications and/or worldwide directives.

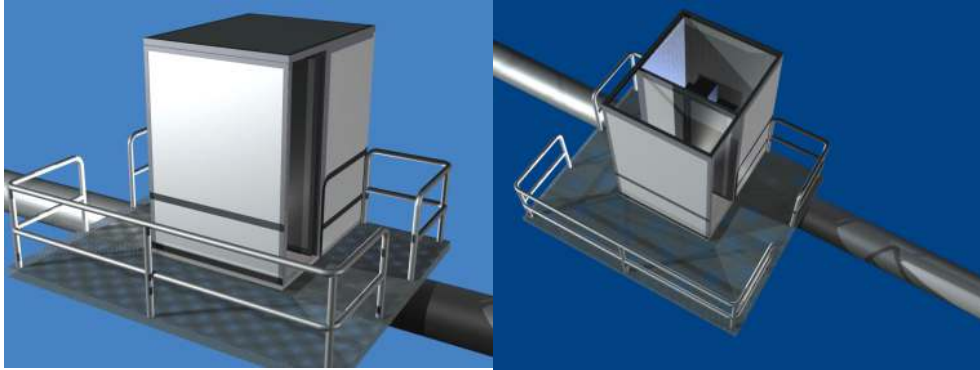
The new generation analysers are more sophisticated and compacter. Therefore the need for complex analyser houses is reduced. Often a simple fit for purpose cabinet is acceptable, however in practice not pleasant for the service engineer to do maintenance when the weather conditions are bad. It will reduce the enjoyment in and the quality of service in a negative way.

Therefore aSAP is a good solution.

How does it work?

The basis of the aSAP design is a cabinet with two French doors, an extended roof and floor. With both doors closed it has the same functionality as an analyser enclosure.

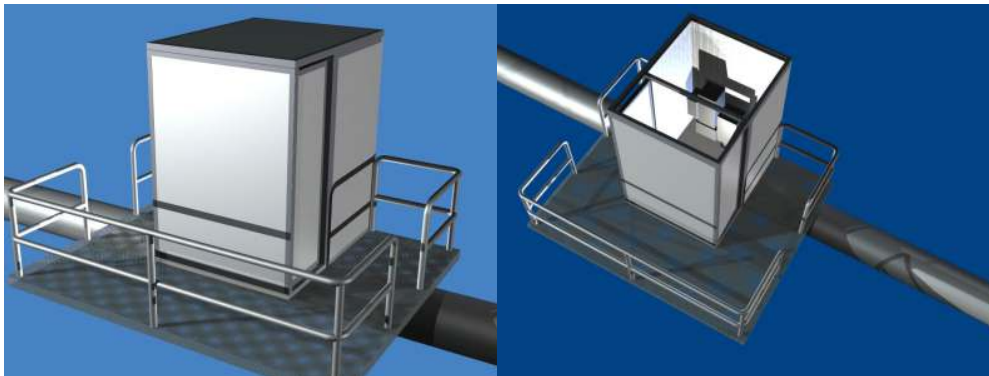
Normal operation, doors at 0°



Just “acting” like a normal enclosure

By opening both doors at an angle of 90°, a pleasant and fit for purpose maintenance area is created.

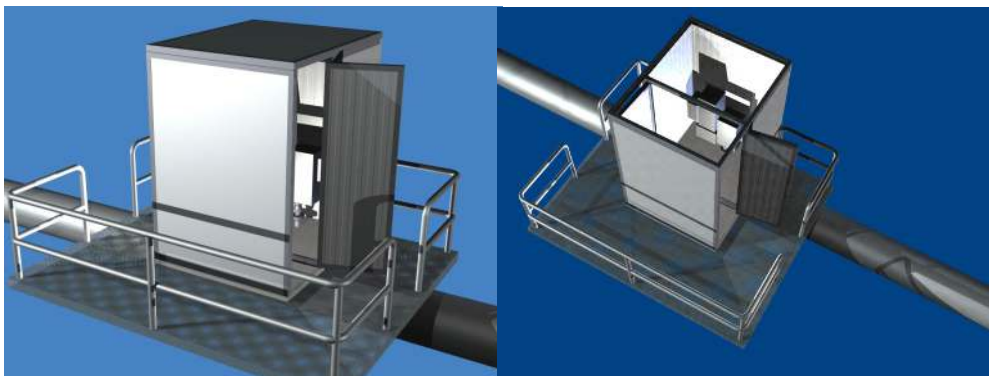
Maintenance, doors at 90°



Just “acting” like a “analyser house”

The doors are fixed in the 90° position with special retaining pins. In case of emergency inside the aSAP cabinet, you just gently push the door and leave.

Emergency, doors at 200°



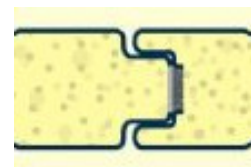
Just “acting” like a “open shed”

The aSAP is tailor made, depending on the application there is the possibility to choose for a floor in press grating and/or roof ventilation.



Material specification

The aSAP is built from standard industrial panels and a stainless steel frame. The panels form mutually a whole by a cam saving connection as reflected in the illustration.



The sandwich construction of the panels is build as following:

- Outside plate
 - Senzimir zinc (275g/m²) steel sheet plate (thickness 0,6mm)
 - Standard coating is 25μ polyester. Optionally plastisol 200μ, PVDF 25μ or FOODSAFE coatings.
 - Colour RAL9002
- Insulation
 - Rigid polyurethane foam (PUR), thick 40mm. Optionally thicker insulation possible.
 - Density 45kg/m³
 - Fire resistance category: class B3 (CFK-free)
- Inside Sheet
 - Senzimir zinc (275g/m²) steel sheet plate (thickness 0,6mm)
 - Standard coating is 25μ polyester. Optionally plastisol 200μ, PVDF 25μ or FOODSAFE coatings.
 - Colour RAL9002

Dimensions and design

The aSAP is tailor made and preferable produced in complete meters. The maximum span of the panels is 13 meters, however the strength of the aSAP is the reduced size.

Many designs are possible. One option is an aSAP with integrated storage room for gas cylinders. If required we can provide this room with doors and heating. The sample conditioning system can be placed in the above mentioned storage room or mounted next to the analyser, depending on type of analysis. Please find some realised and conceptual aSAP examples below.

