

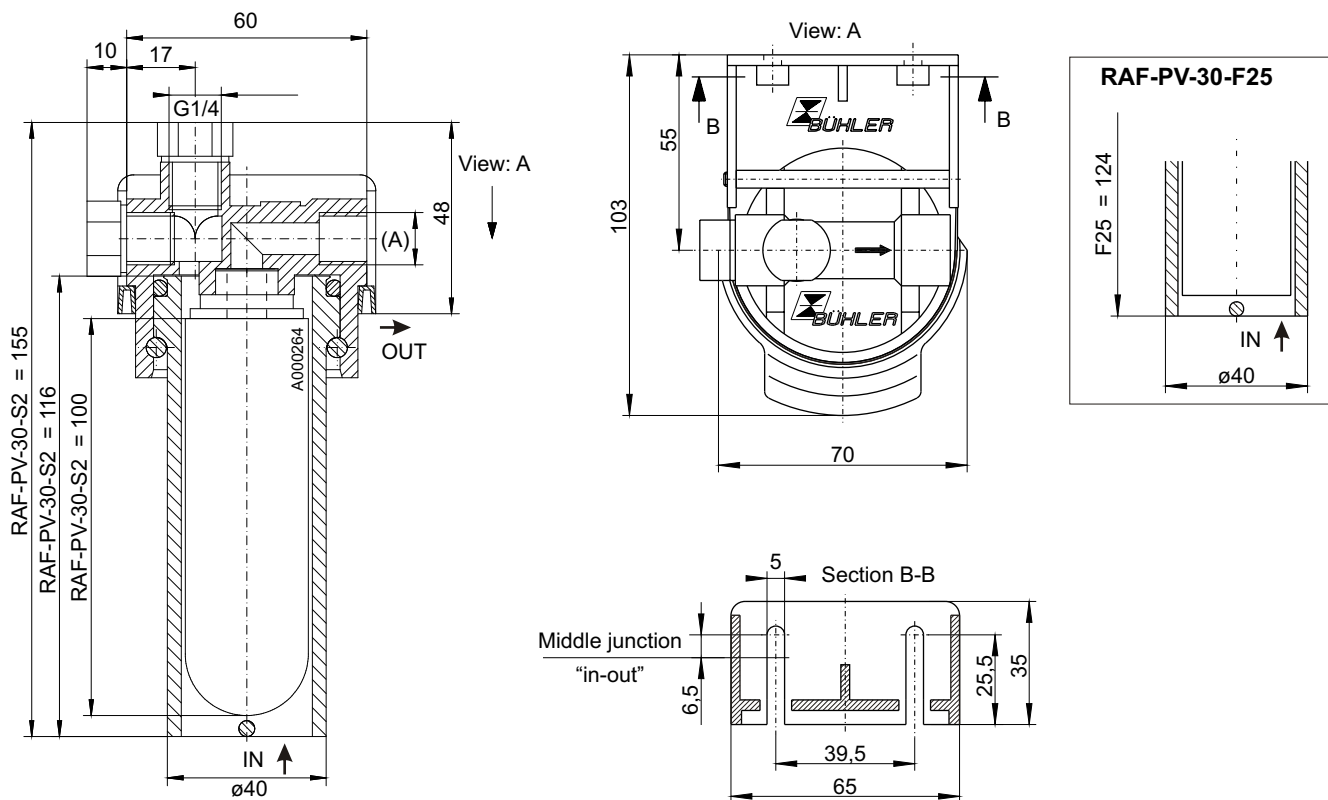
Ambient Air Filter RAF - PV - 30



The analysis of ambient air requires the conditioning of the sample gas stream to eliminate the fugitive particulate matter. The Bühler RAV-PV-30 filter is equipped with a fine upstream filter element to accomplish this.

- **Bühler Unique QC bracket**
- **Easy change of filter media without tools**
- **Versatile mounting bracket**

Dimensions



Technical Data

Filter head	PVDF	Temperature max.	100 °C
Filter bowl	Glass	Weight approx.	0.28 kg
Seal	Viton	Threads (A)	G1/4 or NPT 1/4



Application in explosive atmosphere (additional indications):

The equipment corresponds to the essential requirements of the Directive 94/9/EC. Therefore they can be used in explosive atmosphere (**Zone 1; Group IIB**). Depending on the used filter element inflammable gases and flammable gases (only temporary explosive in normal operation, **Zone 1; Group IIB or IIC**) can be led through this gas filters.

Note indications of risk in the installation- and operation instruction of the filter!

Please indicate with order delivery includes one filter element

Typ	Pore size	Part no.	Element	Connections
RAF-PV-30-S2	2 µm	41 52 199	S2	G1/4
RAF-PV-30-S2-I	2 µm	41 52 199I	S2	NPT 1/4
RAF-PV-30-F25	25 µm	41 52 299	F25	G1/4
RAF-PV-30-F25-I	25 µm	41 52 299I	F25	NPT 1/4

Spare filter elements

Type	Filter element	Material	Pore size	Surface area	Part no.	Package	Range of use
S2	husk	glass fibre	2 µm	80 cm ²	41 01 001	5 pcs.	Group IIC
S2	husk	glass fibre	2 µm	80 cm ²	41 01 002	25 pcs.	Group IIC
F25	PTFE	PTFE sintered	25 µm	60 cm ²	41 02 013	5 pcs.	Group IIB