

## CYL-21 Series

Corrosion-resistant Single Stage Cylinder Regulator



(Shown with optional outlet valve)

The CYL-21 Series is a compact cylinder regulator based on the time proven design of the PR-1 Series single-stage stainless steel line regulator and is suitable for most corrosive gas cylinder applications. While normally used for low and moderate flow service, optional high flow orifices are available.

The standard unit is equipped with CGA connector, integral inlet filter, inlet and outlet pressure gauges and may be ordered with extra inlet or outlet ports for inlet purging, outlet relief valves or other accessory items. When used in service with toxic or explosive gases, we recommend the installation of a captured vent option. This option is a true captured vent cap and not merely a standard cap with a vent port. It comes complete with a CGA fitting and 2" diameter gauges.

### Features & Specifications

- 316L stainless steel construction (standard), Monel® optional
- Inlet pressures up to 6000 psig
- Electropolished body with better than 25 Ra finish in diaphragm cavity
- 20 micron inlet filter
- Bubble-tight shutoff
- CGA inlet fitting
- 2" diameter 316 stainless steel gauges
- Outlet pressure ranges 0–10 psig, 0–25 psig, 0–50 psig, 0–100 psig, 0–250 psig, 0–500 psig, and 0–750 psig
- Optional Cv flow coefficients: 0.025, 0.06, 0.20, 0.50

pressure regulators

### GO Regulator

405 Centura Court • PO Box 4866 (29305) • Spartanburg, SC 29303  
Phone (864) 574-7966 Fax (864) 574-5608  
www.goreg.com • sales@goreg.com

# CYL-21 Series

## How to Order

Standard items in bold

**C1 - 1 F 1 1 A 3 C 1** CGA Fitting **1**

### BODY MATERIAL

- 1** 316L stainless steel
- 4 Monel®

### PORT CONFIGURATION

- F** Standard
- For more port configurations, see page 19.

### PROCESS PORT TYPES

(GAUGE PORT TYPE, IF SPECIFIED)

- 1** ¼" FNPT (¼" FNPT gauge ports)
- 2** ¼" tube stub, 2" long (¼" FNPT gauge ports)
- 3** ¼" sch. 80 pipe stub, 4" long (¼" FNPT gauge ports)
- 4** ⅜" FNPT (¼" FNPT gauge ports)
- 6** ½" tube stub, 2" long (¼" tube gauge ports)
- K** ¼" sch. 40 pipe stub, 4" long (¼" FNPT gauge ports)

### DIAPHRAGM TYPE

- 1** Standard diaphragm
- 2** Diaphragm-attached poppet
- 3** Self-relieving
- 4** Vacuum-assist spring, standard diaphragm
- 5** Vacuum-assist spring, diaphragm-attached poppet
- 8** Tefzel® ring/stainless steel

### SEAT MATERIAL

- A** Tefzel®
- B** CF Teflon®
- C** Polyimide
- H** PCTFE (formerly Kel-F® 81)
- I** High density Teflon®
- Q** PEEK™

### GAUGES

- 1** Include gauges
- 2** Omit gauges
- 3** Customer-supplied

### CGA FITTINGS

- Use '000' to omit CGA
- Use 'CUS' for customer-supplied CGA

### CAP ASSEMBLY

- 1** Standard
- 4** Panel mount

### OUTPUT RANGE

- C** 0-10 psig
- D** 0-25 psig
- E** 0-50 psig
- G** 0-100 psig
- I** 0-250 psig
- J** 0-500 psig
- W** 0-750 psig

### FLOW COEFFICIENT (Cv)

- 3** 0.06
- 5** 0.2
- C** 0.025
- H** 0.5

For a full list of options, visit the selection matrix for this product on [www.goreg.com](http://www.goreg.com)

NOTE: The choices above represent an abbreviated list of the more commonly ordered options. For a complete listing of all available options, please see the Selection Wizard on the GO website at [www.goreg.com](http://www.goreg.com) or contact the factory.

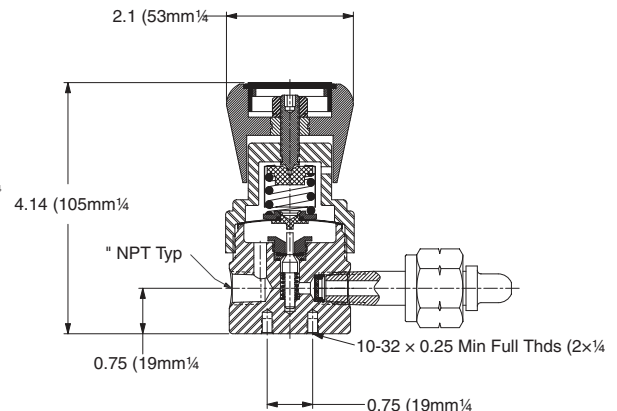
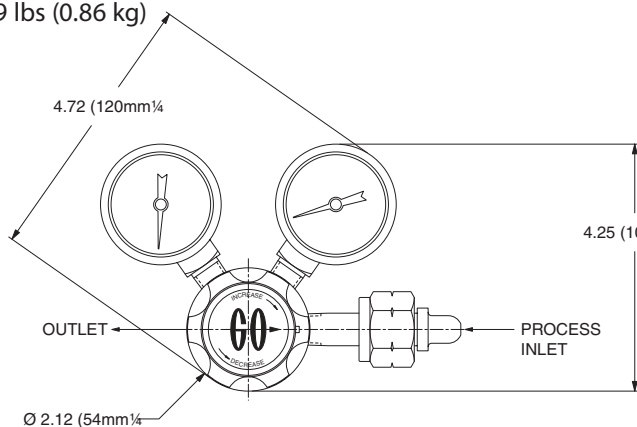
## Maximum Temperature & Operating Inlet Pressures

SEAT MATERIAL	MAXIMUM TEMPERATURE*	MAXIMUM OPERATING INLET PRESSURE
Tefzel®	150° F (66° C)	@ 3600 psig (24.82 MPa)
High density Teflon®	150° F (66° C)	@ 3600 psig (24.82 MPa)
PCTFE (formerly Kel-F® 81)	175° F (80° C)	@ 6000 psig (41.37 MPa)
Polyimide	500° F (260° C)	@ 3600 psig (24.82 MPa)
Polyimide	175° F (80° C)	@ 6000 psig (41.37 MPa)
PEEK™	500° F (260° C)	@ 3600 psig (24.82 MPa)
PEEK™	175° F (80° C)	@ 6000 psig (41.37 MPa)

\* Temperatures in excess of 175° F (80° C) require the use of a metal knob or the tamper-proof option.

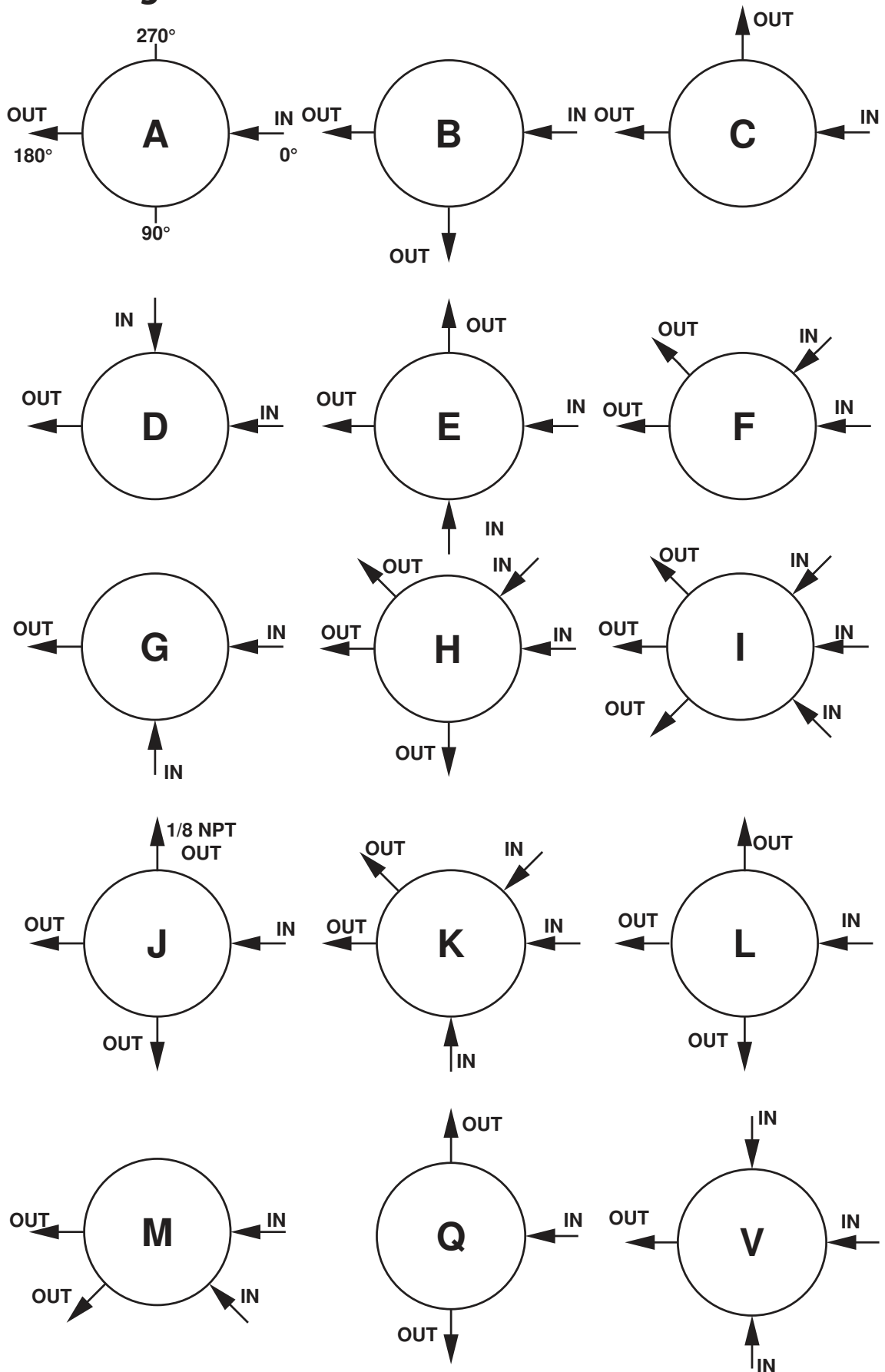
## Outline & Mounting Dimensions

Weight = 1.9 lbs (0.86 kg)



Monel® is a registered trademark of Special Metals Corporation.  
 Teflon® and Tefzel® are registered trademarks of the DuPont Company.  
 Kel-F® is a registered trademark of 3M Company.  
 PEEK™ is a trademark of Victrex PLC.

# Porting Configurations for Cylinder Regulators



LOCATION OF PORTS FROM TOP VIEW