

GO REGULATOR

LG-1 Series

Ultra Miniature Pressure Regulator



The LG-1 is an ultra-miniature pressure regulator that has many of the same features found in the time-tested design of the CPR-1 & PR-1 Series pressure regulators. Designed for surface, panel or manifold mounting, the LG-1 offers the utmost in versatility to the systems designer. It's low internal volume of less than 2.7cc makes the LG-1 the perfect choice for systems that require rapid purge cycles. Standard features permit using this regulator in a wide variety of services, including corrosive fluids. The LG-1 can be tailored to virtually any application by utilizing the optional features. All of this is attainable while achieving as low as 0.2% accuracy during supply pressure fluctuations. This regulator is designed to allow the construction of compact and sophisticated analytical instrumentation where the optimum in pressure control is required and space is at a premium.

Features & Specifications

- Gas or liquid service
- 316L stainless steel construction
- Internal volume is less than 2.7cc
- Electropolished body with better than 25 Ra finish in diaphragm cavity
- 20 micron inlet filter
- Bubble-tight shutoff
- Outlet pressure ranges are 0-10, 0-25, 0-50, 0-100, 0-250 and 0-500 psig
- Cv flow coefficient 0.025 or 0.06
- Option: surface mount (for manifolds)

pressure regulators

GO Regulator

405 Centura Court • PO Box 4866 • Spartanburg, SC 29303
Phone (864) 574-7966 Fax (864) 574-5608
www.goreg.com • sales@goreg.com

LG-1 Series

How to Order

LG1 -

BODY MATERIAL

- 1 316L stainless steel
- 2 Brass
- 3 Aluminum
- 4 Monel®

PORT CONFIGURATION

- A Standard

For more port configurations, see page 35.

PORT TYPE

- 0 1/8" FNPT (all ports)
- 1 Surface mount (consult factory for configurations)
- A 1/6" FNPT (all ports)
- B 1/6" FNPT inlets; 1/6" FNPT outlets

SURFACE FINISH OF DIAPHRAGM CAVITY

- 1 < 25 Ra

SEAT MATERIAL

- A Tefzel®
- C Polyimide
- H PCTFE (formerly Kel-F® 81)
- I High density Teflon®
- Q PEEK™

FLOW COEFFICIENT (Cv)

- 3 0.06
- C 0.025

CAP ASSEMBLY

- 1 Hand knob (0-100 psig maximum)
- 2 T-handle
- 3 T-handle, panel mount
- 4 Hand knob, panel mount (0-100 psig maximum)
- 8 Tamper-proof
- E Tamper-proof, panel mount

DIAPHRAGM FACING/BACKING/ O-RING MATERIAL

- 1 Tefzel® ring/stainless steel/Teflon®
- 7 Tefzel® ring/stainless steel/Viton®
- 8 Tefzel® ring/Inconel®/Teflon®
- H Tefzel® ring/Inconel®/Viton®

DIAPHRAGM TYPE

- 1 Standard, Nylon dia. slip ring (170° F maximum temperature)
- 2 Standard, Polyimide dia. slip ring (high temperature service)

OUTLET RANGE

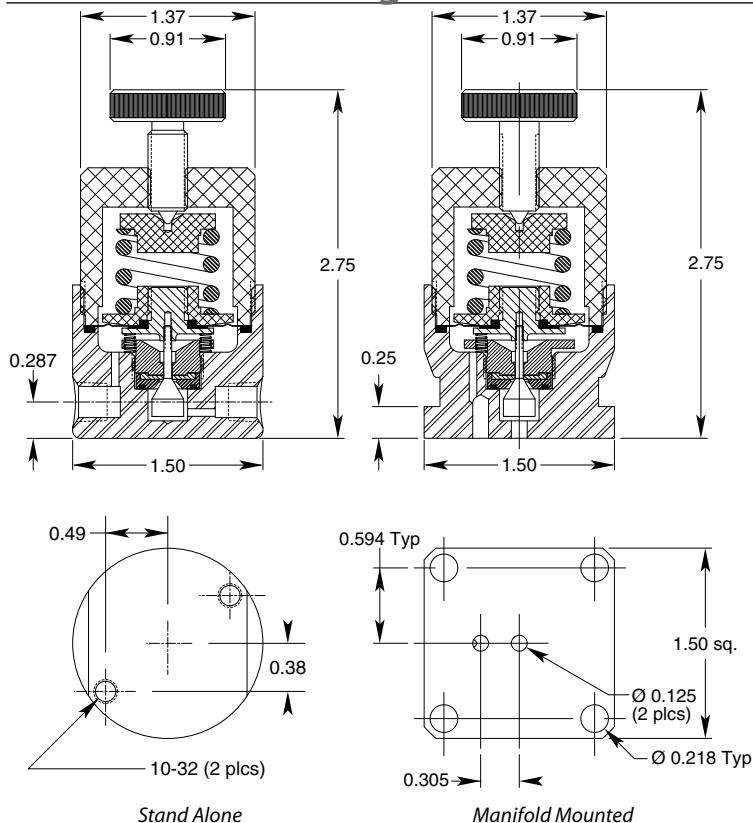
- C 0-10 psig
- D 0-25 psig
- E 0-50 psig
- G 0-100 psig
- I 0-250 psig (requires T-handle or tamper-proof)
- J 0-500 psig (requires T-handle or tamper-proof)

NOTE: The choices above represent an abbreviated list of the more commonly ordered options. For a complete listing of all available options, please see the Selection Wizard on the GO website at www.goreg.com or contact the factory.

Maximum Temperature & Operating Inlet Pressures

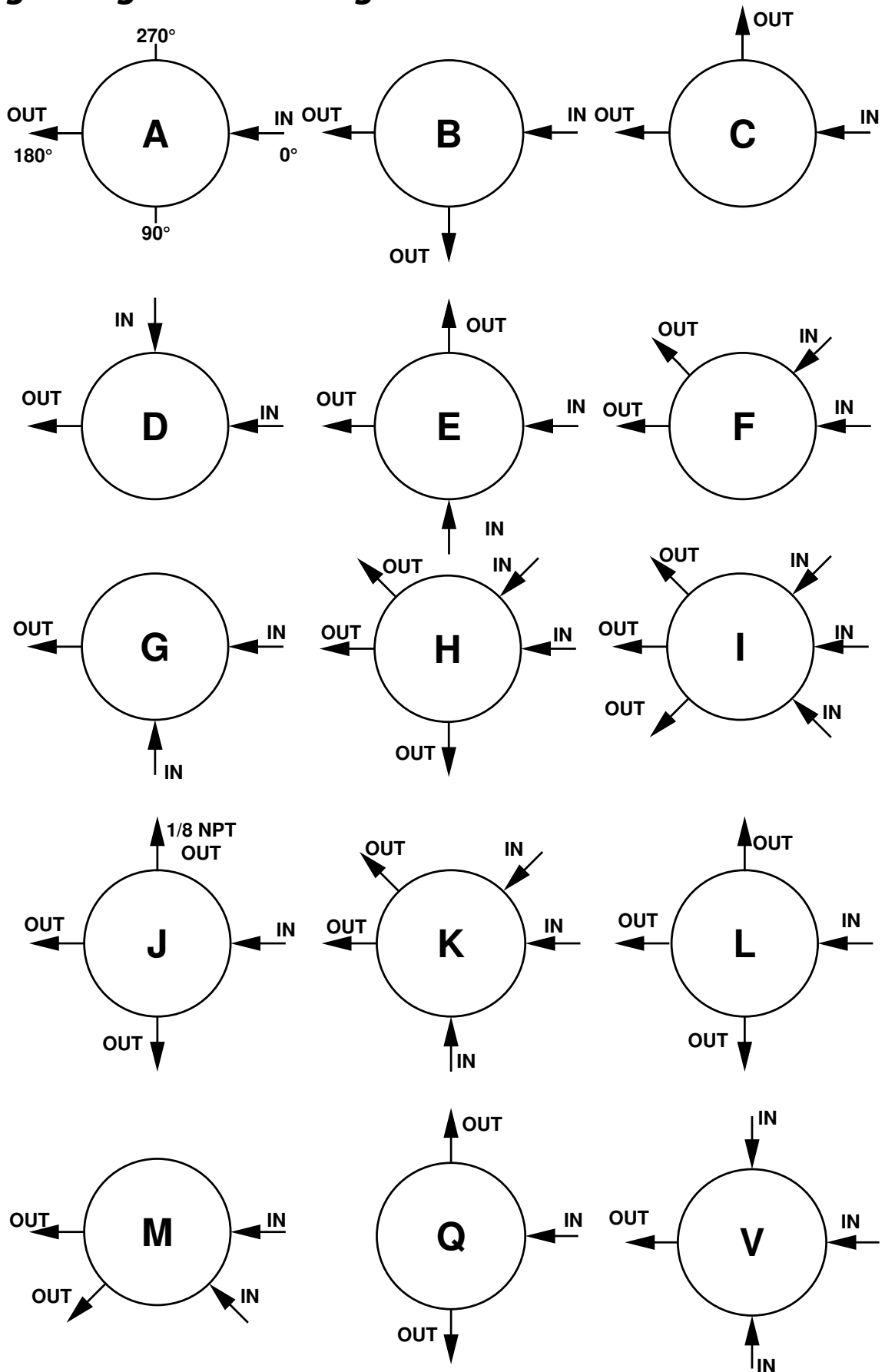
SEAT MATERIAL	MAXIMUM TEMPERATURE	@	MAXIMUM OPERATING INLET PRESSURE
Tefzel®	150° F (66° C)	@	3600 psig (24.82 MPa)
High density Teflon®	150° F (66° C)	@	3600 psig (24.82 MPa)
PCTFE (formerly Kel-F® 81)	175° F (80° C)	@	6000 psig (41.37 MPa)
Polyimide	500° F (260° C)	@	3600 psig (24.82 MPa)
Polyimide	175° F (80° C)	@	6000 psig (41.37 MPa)
PEEK™	500° F (260° C)	@	3600 psig (24.82 MPa)
PEEK™	175° F (80° C)	@	6000 psig (41.37 MPa)

Outline and Mounting Dimensions



Inconel® and Monel® are registered trademarks of Special Metals Corporation.
 Teflon® and Tefzel® are registered trademarks of the DuPont Company.
 Kel-F® is a registered trademark of 3M Company.
 PEEK™ is a trademark of Victrex PLC.
 Viton® is a registered trademark of DuPont Dow Elastomers.

Porting Configurations for Single Stage Pressure Regulators



LOCATION OF PORTS FROM
TOP VIEW