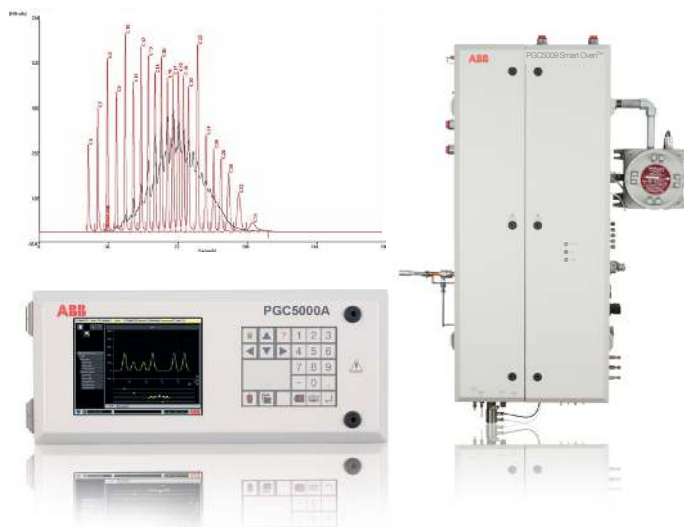


PGC5009 Fast process gas chromatograph

Speed and accuracy for advance process control saving millions in refinery product yields and catalyst life extension

Measurement made easy



The challenge

A relatively small shift in the cut point for any refinery product can cost refiners millions in profits. In the absence of fast, accurate and reproducible boiling point data, refinery product yields are not optimized and more importantly, profits are lost.

The solution

The PGC5009 represents the best in process analytics for simulated distillation analysis using fast temperature programmed process chromatography. With a patented resistively heated column design and rapid cooling system, the PGC5009 provides superior chromatography. The results are proven: accurate and reproducible retention times and weight percentage measurements required for boiling point curve calculation enabling optimized refinery process control.

Product features

- ASTM D3710 (Gasoline) in less than 4 minutes
- ASTM D2887 (Diesel) in less than 5 minutes
- Patented resistively heated micro packed column design for fast C1-C36 separation
- 7 days of chromatogram and report storage comes standard on the PGC5000A Master controller with a removable SD card
- Integrated sample system communication for remote health monitoring
- Connectivity to the STAR Data Management System
- Open accessible oven and electronics enclosure

Stakeholder benefits

- Tight cut point control for product yield optimization can save millions in refinery profits
- Blending to pipeline versus costly storage
- Significant savings in analyzer technician time through remote system diagnostics capability and an analyzer designed for ease of maintenance

PGC5009

Process Gas Chromatograph

Specifications

Physical

Oven:

Environmental (enclosure):	Protected from weather: IP 54, (NEMA 12) equivalent
Ambient temperature range:	0 to +50° C (32 to 122° F)
Humidity:	95% relative humidity, non-condensing
Dimensions:	753 mm W x 290 mm D x 1283 mm H 29.7 in. W x 11.4 in. D x 50.50 in. H (with X-purge assembly) (38.6 in. W x 11.4 in. D x 50.50 in. H)
Weight:	73 kg (160 lb.) (minimum)
Mounting:	Wall: 41.3 mm (1.6 in.) from wall with brackets Floor: Optional wheeled dolly
EMI/RFI considerations:	Conforms to Class A industrial environment
Electrical entries:	Top and right side
Pneumatic entries:	Right side
Sample entries:	Liquid: Bottom, 1 each special version Model 791 LSV
Vents:	Left side and Bottom

Safety area classification

NEC:	Class I, Divisions 1 Group B, C, D (T3 or T2) Conforms to IECEx/ATEX Directive 2014/34/EU and EMC Directive 2014/30/EU Zone 1: CE II 2G, Ex db eb ib pxb IIB+H2(T3 or T2) Gb (T-code and protection method are dependent upon application.)
Safety Purge Control:	X-purge required for all area classifications
Purge Timeout:	18.2 minutes



Power

(Hot, Neutral, Ground)

Voltage:	100 VAC (+15, -6 VAC) 120 VAC ± 10% 230 VAC ± 10%
Frequency:	50/60 Hz ± 10%
Power consumption:	1200 VA Maximum, 240 VA Typical

Instrument air

Supply connection:	3/8 inch tube, minimum
Supply pressure:	Low Pressure: 414-690 kPa (60-100 psig) with 15 scfm vortec cooler High Pressure: 586 - 690 kPa (85-100 psig) with 10 scfm vortec cooler (Note: Not all applications can be performed with the low pressure version)
Quality:	Instrument grade: Clean, Oil Free and -34° C, (-30° F) dewpoint
Flow rates:	Maximum: 340 L/min (12.0 ft ³ /min) Steady state: 278 L/min (9.8 ft ³ /min)

PGC5009

Process Gas Chromatograph

Analytical detectors

Standard detectors: Flame Ionization, Independently heated

Temperature programmed column section

Column section cabinet

Configuration: Painted Steel housing independent of the Electronic Control section. Insulated for temperature stability. The LSV is attached through the bottom of the cabinet and connected on the inside to the micro-packed, electrically heated stainless column assembly. The Heated FID is mounted at the top of the cabinet and connected to the effluent end of the measurement column.

Internal dimensions: 228 mm W x 1165 mm H x 199 mm D (9.00 in. W x 45.85 in. H x 7.85 in. D)

Heat: Direct Electrical connection to the Measurement Column

Temperature control method: Closed loop PID

Column temperature: +10° to 300° C (Settings and display in ° C only), T3 or T2 Rating.

Setpoint resolution: 1° C

Analytical columns: Micro Packed Stainless Steel

Column cooling: At the end of the analysis cycle, the controller directs vortex cooled air into the column assembly to rapidly return this oven zone to the initial temperature, allowing the next the measurement cycle to begin.

(When required by application)

Gas control – Electronic pressure control

Electronic pressure control

Control method: Closed loop PID, temperature stabilized

Number of zones: 1-5, Typically 4 used (carrier, makeup, H₂ fuel, Burner Air)

Filtration: 2mm at inlet, provided

Inlet pressure: Minimum: Setpoint + 69 kPa (10 psig)

Maximum: 1034 kPa (150 psig)

Range: 0-100 psig, bubble tight, non-venting

Gauges: Electronic readout : 0.01 psig resolution

Setpoint resolution: 0.01 psig

Accuracy: 0-50 psig: 1.7%

50-100 psig: 2.7%

Repeatability: +0.1 psig

Allowable gasses: H₂, He, N₂, Air

Quality: GC Grade

Flow adjustment: Needle valves, Split Flow only; EPC used for Column Flow

Tube fittings: 316 SS Gyrolok (standard) ; 316 SS Swagelok (optional)

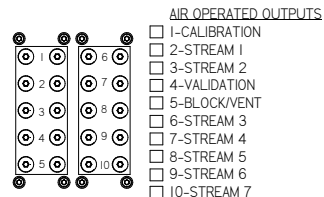
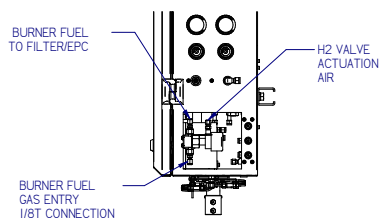
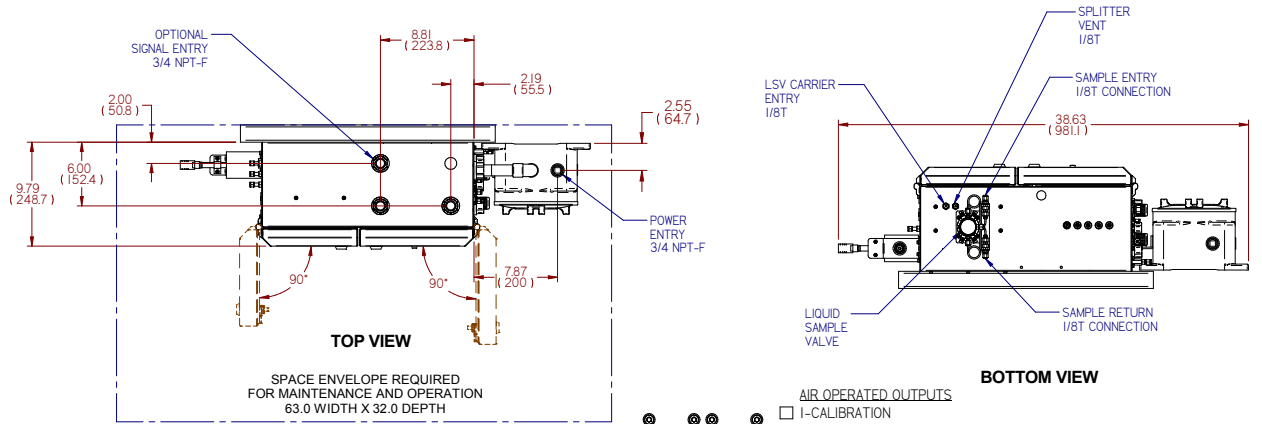
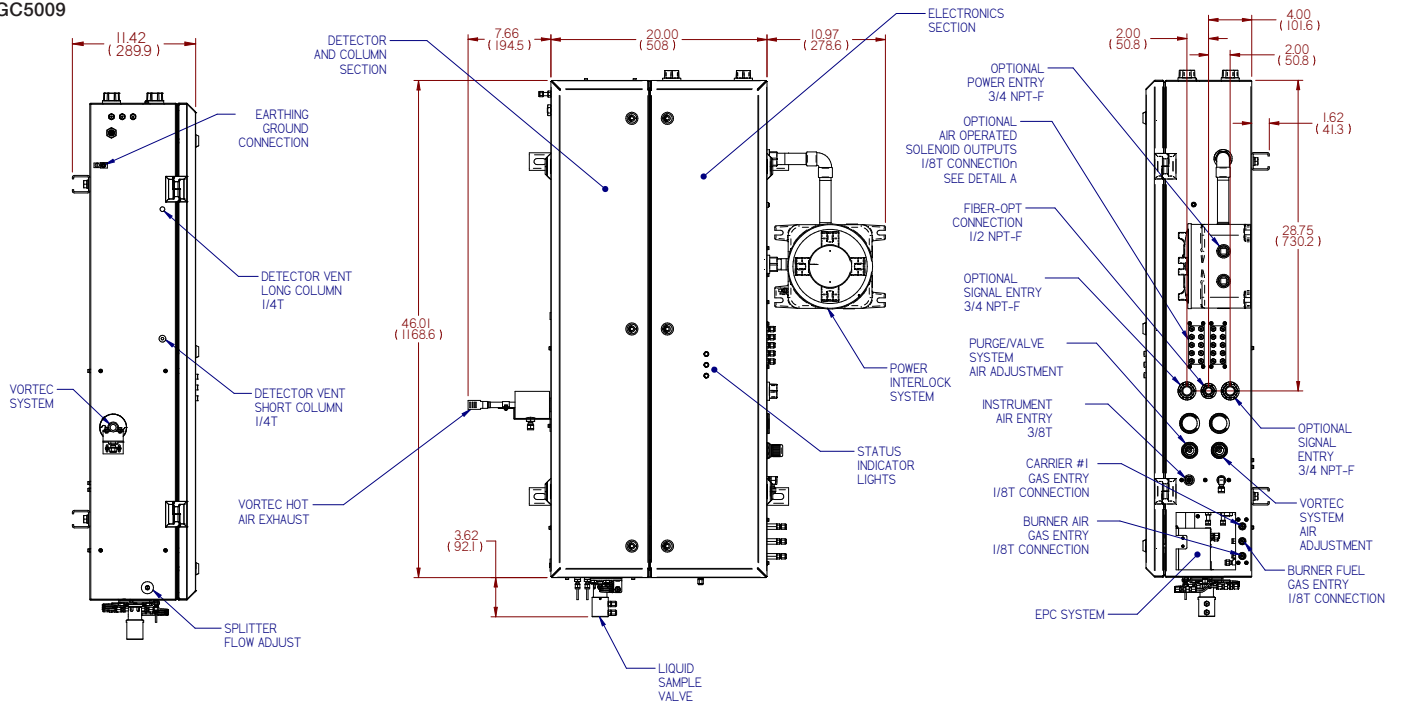
1/16, 1/8, 1/4 inch connections

Specifications subject to change without notice.

PGC5009 Process Gas Chromatograph

External Dimensions

PGC5009

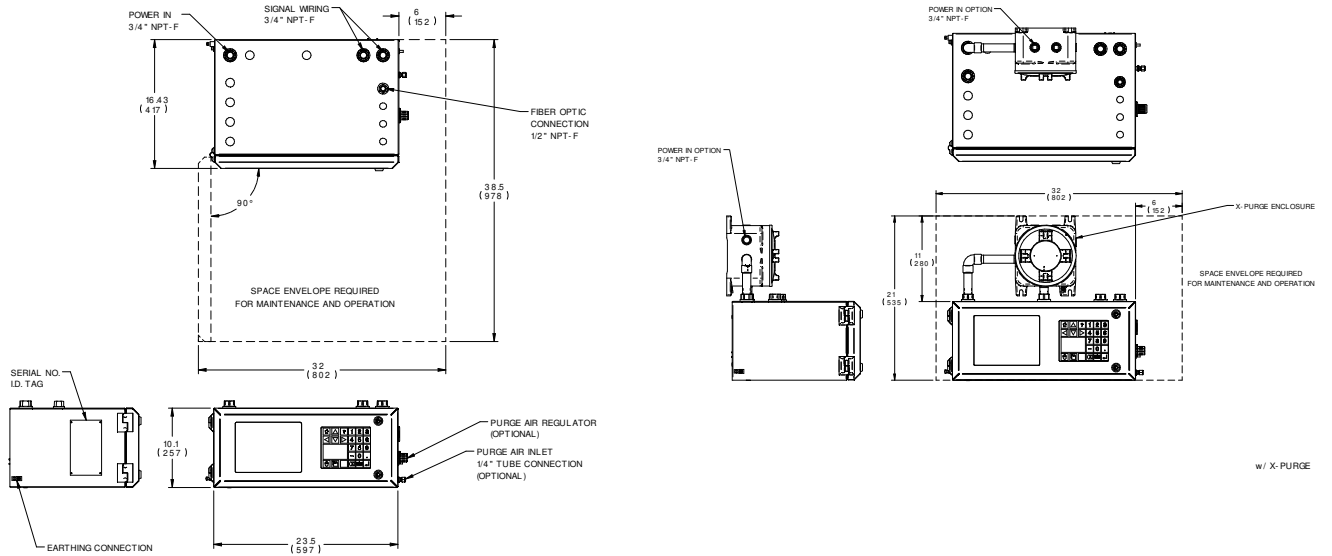


I- DIMENSIONS SHOWN IN PARENTHESIS (XXX) ARE IN MILLIMETERS.

PGC5009 PGC5009A Master Controller

External Dimensions

PGC5000A



1. DIMENSIONS SHOWN IN PARENTHESIS (XXX) ARE IN MILLIMETERS.

Notes

Notes

Contact us

ABB Inc.

Analytical Measurements

843 N. Jefferson Street
Lewisburg
WV 24901
USA

Tel.: 1 304 647 4358
Fax: 1 304 645 4236
analyzeit@us.abb.com

ABB Limited

Process Automation

Oldends Lane
Stonehouse
Gloucestershire GL10 3TA
UK

Tel.: +44 1453 826 661
Fax: +44 1453 829 671
instrumentation@gb.abb.com

ABB (China) Limited

Universal Plaza
10 Jiuxianqiao Lu
Chaoyang District
Beijing 100016
P.R. China

Tel.: +86 10 8456 6688
Fax: +86 10 8456 7613
china.instrumentation@cn.abb.com

www.abb.com

Note

We reserve the right to make technical changes or modify the contents of this document without prior notice. With regard to purchase orders, the agreed particulars shall prevail. ABB does not accept any responsibility whatsoever for potential errors or possible lack of information in this document.

We reserve all rights in this document and in the subject matter and illustrations contained therein. Any reproduction, disclosure to third parties or utilization of its contents - in whole or in parts - is forbidden without prior written consent of ABB.

Copyright© 2016 ABB
All rights reserved

9AKK106713A5846



Sales



Service