



Panel-Filter AGF-FA-5

Especially in emission control via portal analysis systems the sample gas cannot always be extracted without particle contamination. The necessary conditioning systems must be compact and lightweight and therefore require small and light system components.

We offer special filter housings for these applications and for installation into a standard 19" rack.

AGF-FA-5 filters are screwed onto the front panel. The sample gas connections and an additional connection for the moisture detector can be accessed from the front panel.

Front panel

Easy installation

Large filter surface

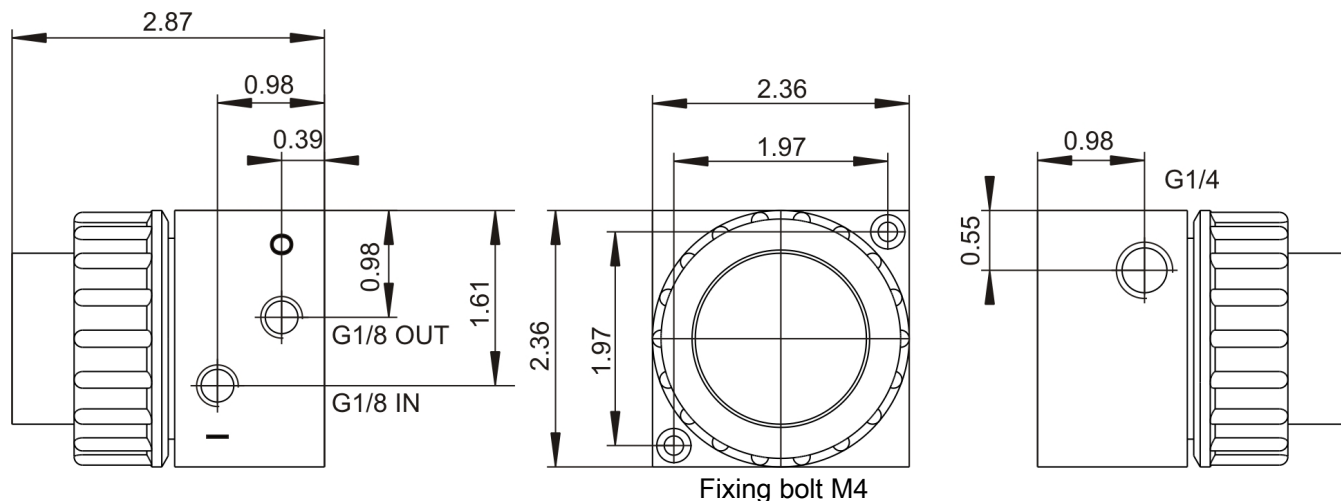
Easy element replacement

Acid-proof materials

Bypass connection in the filter head (G1/4), connection options for bypass, moisture detector or ventilation



Dimensions



Use in explosive areas (additional notices):

The filter meets the fundamental safety requirements of Directive 2014/34/EU and is suitable for use in Category 2G, Explosion class IIB areas. The filter is not marked, as it does not have an innate ignition source and Directive 2014/34/EU therefore does not apply.

Flammable gases, explosion class IIB, which could occasionally be explosive during normal operation may be conveyed through the filter.

Be sure to observe the instructions in the respective operating instructions!

Ambient temperature range when used in Ex areas: $-5\text{ °C} \leq T_{\text{amb}} \leq 60\text{ °C}$.

Technical Data

Panel filter AGF-FA-5

Filter surface	6.5 in ²
Filter fineness	2 μm
Dead volume	1.74 cu. in. (without filter element)
Material - filter housing	PTFE, PVDF, Duran glass (parts in contact with mediums)
Material - gasket	Viton
Material - filter element	Sintered PTFE
Connections	G1/8 (gas IN / OUT) or G1/4 (bypass)
Operating pressure max.	29 psig
Medium temperature	max. 212 °F
Option	Moisture detector (see Data Sheet 41 0011)

Ordering instructions

Filter*

Item no.	Model
41 15 300	AGF-FA-5
41 01 003	O-ring

* one filter element is included with delivery.

Filter element

Item no.	Model	Material	Packing unit	Ex application
41 15 10 50	FE-4	Sintered PTFE	8 pieces	II B