



Wash bottle WF-AGF-PV-30

Gas analysis is a complex field. The sample gas to be analysed must be extracted and handled under quite diverse conditions to yield representative and reliable analysis results. There frequently is a need to remove gaseous components from the sample gas by washing these out.

The WF-AGF-PV-30 wash bottle is a product suitable for this purpose. The wash bottle is filled with water or another suitable medium to wash out interfering components.

It is made from non-corrosive PVDF and glass. The Unique quick-release fastener allows for easy medium changes. The bottom gas inlet ensures sufficient contact times.

An optional version with bubbler ensures the gas is finely dispersed in the washing medium.

Bühler Unique quick-release fastener

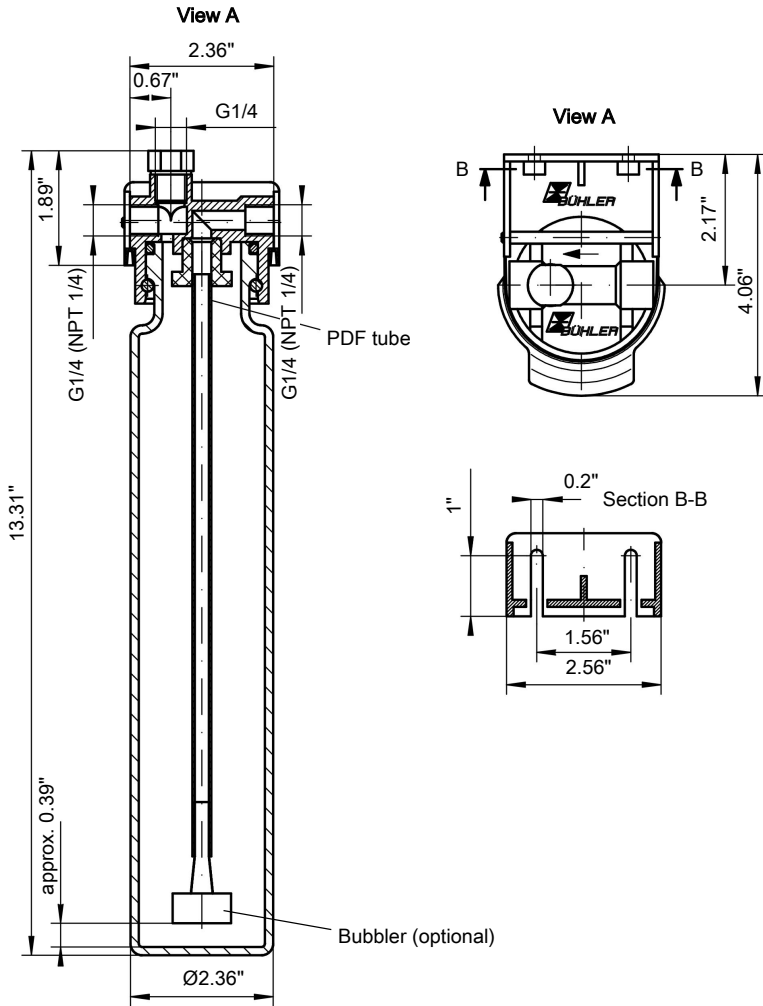
Quick and easy washing medium changes without tools

Variable wall mount

Bubbler optional



Dimensions



DANGER

Use in explosive areas



The equipment is **not** suitable for use in explosive areas.

DANGER

Toxic, corrosive condensate



- a) Protect yourself from toxic, corrosive condensate when performing any type of work.
- b) Wear appropriate protective equipment.
- c) Please note the national safety rules!



Technical Data

Wash bottle WF-AGF-PV-30

Material – filter head:	PVDF
Material – filter cover:	Duran
Material – gasket:	Viton
Material – bubbler:	Duran 3.3
Thread:	G1/4 or NPT 1/4" (see ordering information)
Weight:	approx. 0.5 kg (1.1 lb)
Volume:	0.6 L (0.16 gal)
Max. operating pressure:	4 bar (8 psi)
Max. operating temperature:	100 °C (212 °F)

Ordering instructions**Filter**

Item no.	Model	Connections
44 100 89	WF-AGF-PV-30	G1/4
44 100 89I	WF-AGF-PV-30	NPT 1/4
44 100 91	WF-AGF-PV-30 with bubbler*	G1/4
44 100 91I	WF-AGF-PV-30 with bubbler*	NPT 1/4

*included, separate. Installation: Remove wash bottle head and insert bubbler in the tube end until firmly seated. Reattach wash bottle head.

Spare Parts and Accessories

Item no.	Model
44 100 893	Bubbler